

| | | | | | |
|-------------------------|-----------------------|----|----|------|------------|
| 图纸编码 | RD-SS809-SM-02 (SS-I) | | | 版本号 | A |
| SS809XCA 英文说明书 (CCS3.0) | | | | 编辑日期 | 2020/11/30 |
| 制作 | 刘丽萍 | 审核 | 白丹 | 批准 | 余泽松 |
| 物料编码 | 1320109335 | | | | |
| 备注 | 以 A4 样本打印 | | | | F |



创意源于追求
Own Idea Of Lighting

MAXCYC USER MANUAL



MODEL: SS809XCA



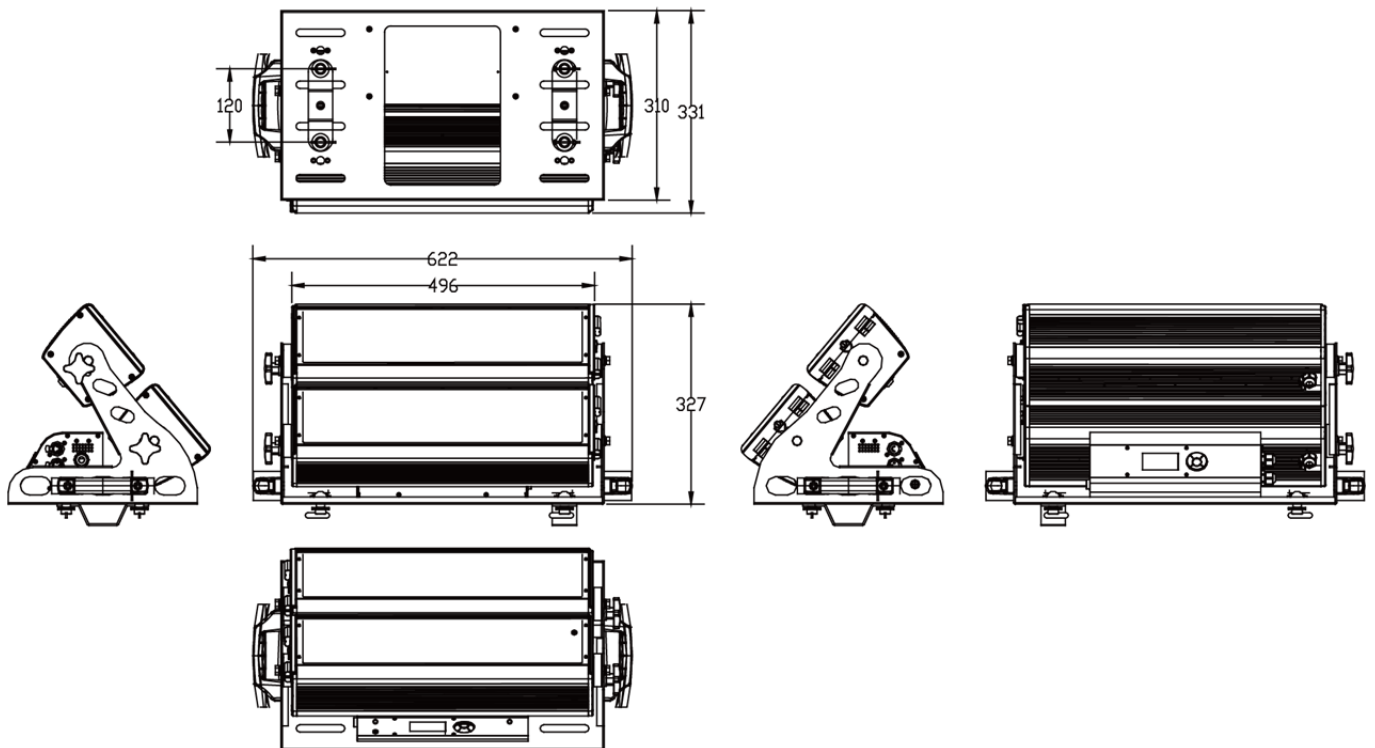
Since 1985

广州市雅江光电设备有限公司
Guangzhou Yajiang Photoelectric Equipment Co., Ltd.
电话/Tel: 020-86947788 邮箱/E-mail: sales@yajiang.cn
传真/Fax: 020-86943773 网址/Website: www.yajiang.cn

1 PRODUCT

1.1 TECHNICAL SPECIFICATIONS

| | |
|-----------------------|--|
| Type | SS809XCA |
| LED colors | Rx32pcs,Gx32pcs,Bx32pcs,CWx16pcs,Ax16pcs |
| Power | 310W |
| Voltage Range | AC100~240V,50/60Hz |
| Protection | IP20 |
| Operation Temperature | 0°C~45°C |
| Dimensions | 622X310X327mm |
| Weight | 15kg |



1.2 Safety Notes

IMPORTANT

- This product must be installed by a qualified professional.
- In order to maintain this condition and to ensure a safe operation, it is absolutely necessary for the user to follow the safety instructions and warning notes
- The manufacturer will not accept liability for any resulting damages caused by the non-observance of this manual or any unauthorized modification to the device.

CAUTION!

- Make sure that the available voltage is not higher than stated on the rear panel.
- Do not touch the power cables if your hands are wet.
- The earth wire must always be connected to the ground. Therefore it is essential to connect the yellow/green conductor to earth.
- Make sure that the power-cord is never crimped or damaged by sharp edges. Check the device and the power-cord from time to time. The electric connection, repairs and servicing must be carried out by a qualified employee.
- Always disconnect power input cable to completely remove power from unit when not in use or before cleaning or servicing the fixture.
- Do not switch the fixture on and off in short intervals as this would reduce the lamp's life.
- Do not touch the device's housing bare hands during its operation (housing becomes hot)! The surface of the product's casing can reach up to 70° C (158° F) during operation. Avoid contact by persons and materials. Do not install the product in a location where there is a risk of accidental contact. Allow the product to cool for at least 10 minutes before handling.
- For replacement use lamps and fuses of same type and rating only.
- Please protect the fixture and avoid destroy during transport and installation. If there is any damage to the coating, the shell may be corroded.
- When hanging lamps and lanterns, it is necessary to verify that facilities and hooks can bear at least 10 times the weight of lamps and lanterns.
- Fix the safety rope at the correct holes only. Only operate the fixture after having checked that the housing is firmly closed and all screws are tightly fastened.
- The maximum ambient temperature 45°C must never be exceeded. Do not operate the product if the ambient temperature (Ta) exceeds 45° C (115° F).

Electrical Warning

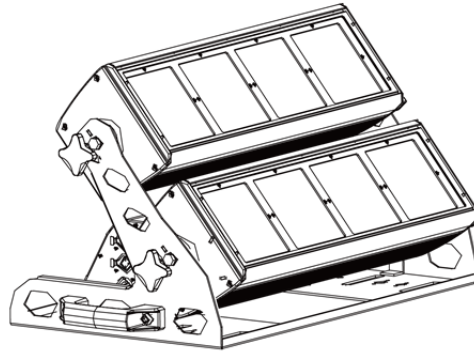
- The light source contained in this luminaire shall only be replaced by the manufacturer or his service agent or a similar qualified person

2 INSTALLATION

2.1 MOUNTING

HANGING

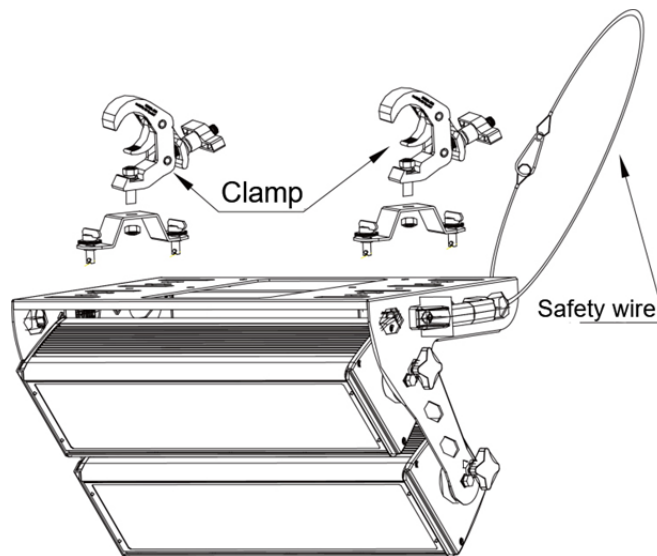
- ◆ You could place the light on the floor. Please make sure the surface is plane and the reliability of the floor is sufficient.



Horizontal layout

UPRIGHT

- ◆ For overhead use, always install a safety cable that can hold at least 10 times the weight of the fixture.
- ◆ For overhead installation, the fixture must be always secured with a safety wire that can bear at least 10 times the weight of the fixture; Secure the fixture with a safety cable through the rear safety eye as shown.
- ◆ Ensure that the structure (truss) to which you are attaching the fixture is secure



Hanging layout

2.2 POWER CONNECTIONS

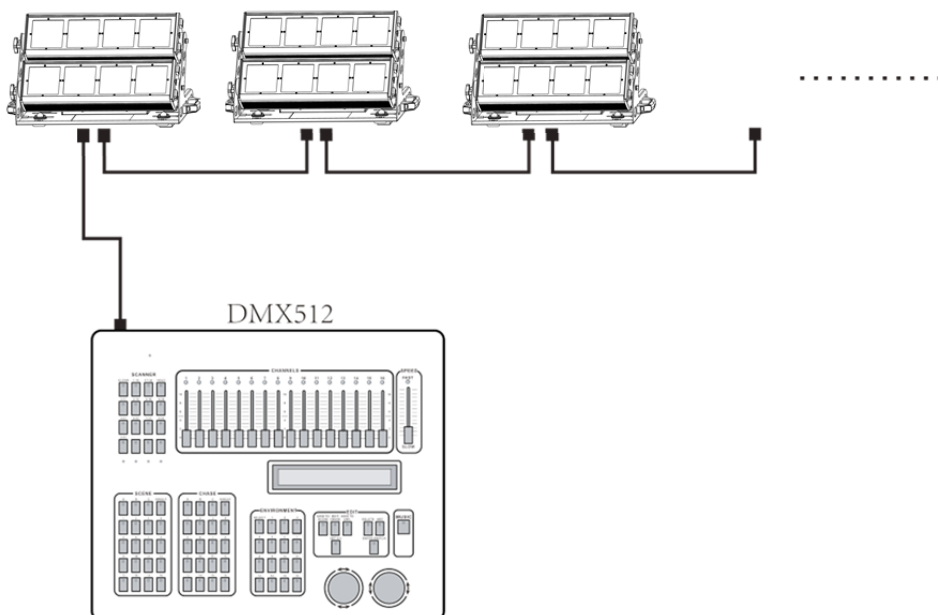
- ◆ POWER Linking: 3 units@110V; 6 units@220V.
- ◆ This product has an auto-ranging power supply that can work with an input voltage range of 100–240 VAC, 50/60 Hz.

AC Plug

| Connection | Wire (U.S.) | Wire(Europe) | Screw Color |
|------------|--------------|--------------|--------------|
| AC Live | Black | Brown | Yellow/Brass |
| AC Neutral | White | Blue | Silver |
| AC Ground | Green/Yellow | Green/Yellow | Green |

2.3 Data network requirements

- ◆ Connect the DMX512 controller to the units in series. A DMX 512 data link is required in order to control the fixture via DMX. The fixture has 3/5-pin XLR connectors for DMX data input and output.
- ◆ Each unit has 13 DMX channels so the DMX Addresses should increase by increments of 1, (Nx1)+1, (Nx2)+1, (Nx3)+1...
- ◆ Any DMX address in the range from 001 to 512 may be used.



3 FUNCTIONS AND SETTINGS

3.1 DISPLAY OPERATION

- ◆ MENU: Used to access the menu or to return a previous menu option;
- ◆ ENTER: Used to select and store the current menu or confirm the current function value or option within a menu;
- ◆ UP: Navigates downwards through the menu list and increases the numeric value when in a function;
- ◆ DOWN: Navigates upwards through the menu list and decreases the numeric value when in a function;

3.2 Menu Map

| | | | | | |
|------|----------------------|----------|----------------|---|---|
| STAT | RED | 0-255 | | Combine [RED][GREEN][BLUE][WHITE][AMBER]to create an infinite range of colors(0-255). Set the value of the [STROBE](0-25Hz). | |
| | GREN | 0-255 | | | |
| | BLUE | 0-255 | | | |
| | WHIT | 0-255 | | | |
| | AMBE | 0-255 | | | |
| | STRB | 0-25 | | | |
| ADDR | 001-512 (default001) | | | Set the DMX ADDRESS | |
| RUN | DMX (default) | | | [DMX] Using the DMX 512 controller to control;[SLAVE] Master--Slave operation. | |
| | SLAV | | | | |
| PERS | HSIC | | | Use the menu to select desired channel mode | |
| | SSP | | | | |
| | TOUR (default) | | | | |
| | TR16 | | | | |
| | PIX1 | | | | |
| | PIX2 | | | | |
| AUTO | AT 1 | 0-255 | | Selects automatic AUTO program and AUTO program speed. Programs [CUSTOM 1] to [CUSTOM 2] are fully pre-programmed and can be edited in [EDIT] mode. | |
| | AT 2 | 0-255 | | | |
| | ... | 0-255 | | | |
| | AT 10 | 0-255 | | | |
| | PR 1 | | | | |
| | PR 2 | | | | |
| EDIT | PR 1-2 | SC 01-10 | RED | 0-255 | Enter the [EDIT] mode to edit the custom programs [PROGRAM01] to [PROGRAM2]. Each custom program has 30 scenes that can be edited. Fade transition time, time 0-255 unit is second, fade time setting should be less than time setting. After editing the program, Play in AUTO. |
| | | | GREN | 0-255 | |
| | | | BLUE | 0-255 | |
| | | | WHIT | 0-255 | |
| | | | AMBE | 0-255 | |
| | | | STRB | 0-25 | |
| | | | TIME | 0-255 | |
| | | | FADE | 0-255 | |
| | UPLO | **** | SEND | | Select [UPLOAD] to upload the custom programs |
| | SET | **** | REST | **** | REST |
| DIMX | | | DIM4 (default) | | Dimming curves DIM1 (fast) to DIM4 (slow); |

| | | | | |
|------|--------|------|----------------|--|
| | | | OFF | |
| | | DERR | SAVE (default) | Hold after loss of DMX signal |
| | | | BLAK | Blackout after loss of DMX signal |
| | | DKEY | ON (default) | Locks display (passcode is <UP>, <DOWN>,<UP>, <DOWN>, <ENTER>) |
| | | | OFF | |
| | | DTIM | ON | Display backlight always on |
| | | | 10s | Turns off display backlight after 10s/30s /2min of inactivity |
| | | | 30s (default) | |
| | | | 2min | |
| INFO | V01 | | | Software versions |
| CCT | WH01 | | | Preset color temperatures |
| | WH02 | | | |
| | WH03 | | | |
| | WH04 | | | |
| | WH05 | | | |
| | WH06 | | | |
| | WH07 | | | |
| | WH08 | | | |
| | WH09 | | | |
| | WH10 | | | |
| | WH11 | | | |
| | WH12 | | | |
| | WH13 | | | |
| | WH14 | | | |
| COL | COL 1 | | | Preset color (See Annex I for details) |
| | COL 2 | | | |
| | ... | | | |
| | COL 48 | | | |

All passwords of this product are <UP>, <DOWN>,<UP>, <DOWN>, <ENTER>)

4 USING A DMX512 CONTROLLER

4.1 DMX CONTROL

| HSIC (7CH) | Value | Function |
|------------|--|-----------------------------------|
| CH.1 | 0-255 | INTENSIYT |
| CH.2 | 0-255 | HUE |
| CH.3 | 0-255 | HUE FINE |
| CH.4 | 0-255 | SATURATION |
| CH.5 | CCT | |
| | 0-9 | NO FUNCTION |
| | 10 | 1800K |
| | 25 | 2200K |
| | 40 | 2700K |
| | 55 | 3000K |
| | 70 | 3200K |
| | 85 | 4000K |
| | 100 | 4500K |
| | 115 | 5000K |
| | 130 | 5600K |
| | 145 | 6000K |
| | 160 | 6500K |
| | 175 | 7000K |
| | 190 | 8000K |
| | 205 | 10000K |
| 255 | 10000K | |
| CH.6 | STROBE | |
| | 0-9 | NO FUNCTION |
| | 10-99 | STROBE FROM SLOD TO FAST (0-25Hz) |
| | 100-109 | NO FUNCTION |
| | 110-179 | THUNDER STROBE |
| | 180-189 | NO FUNCTION |
| | 190-255 | RANDOM SROBE |
| CH.7 | CONTROL (EXECUTE AFTER 3 SECONDS) | |
| | 000-010 | NO FUNCTION |
| | 011-100 | RESERVED |
| | 101-110 | DIMMER OFF |
| | 111-120 | DIMMER DIM4 |
| | 121-200 | RESERVED |

| | | |
|--|---------|-----------|
| | 201-210 | ALL RESET |
| | 211-255 | RESERVED |

| SSP (8CH) | TOUR (12CH) | TR16 (18CH) | Value | Function |
|--------------|----------------|----------------|---------------------|--|
| CH.1 | CH.1 | CH.1 | 0-255 | MASTER DIMMER |
| -- | -- | CH.2 | 0-255 | MASTER DIMMER FINE |
| CH.2 | CH.2 | CH.3 | 0-255 | RED |
| -- | -- | CH.4 | 0-255 | RED FINE |
| CH.3 | CH.3 | CH.5 | 0-255 | GREEN |
| -- | -- | CH.6 | 0-255 | GREEN FINE |
| CH.4 | CH.4 | CH.7 | 0-255 | BLUE |
| -- | -- | CH.8 | 0-255 | BLUE FINE |
| CH.5 | CH.5 | CH.9 | 0-255 | WHITE |
| -- | -- | CH.10 | 0-255 | WHITE FINE |
| CH.6 | CH.6 | CH.11 | 0-255 | AMBER |
| -- | -- | CH.12 | 0-255 | AMBER FINE |
| -- | CH.7 | CH.13 | PRESET COLOR | |
| | | | 0-10 | NO FUNCTION |
| | | | 11-255 | PRESET COLOR (See Annex I for details) |
| -- | CH.8 | CH.14 | CCT | |
| | | | 0-9 | NO FUNCTION |
| | | | 10 | 1800K |
| | | | 25 | 2200K |
| | | | 40 | 2700K |
| | | | 55 | 3000K |
| | | | 70 | 3200K |
| | | | 85 | 4000K |
| | | | 100 | 4500K |
| | | | 115 | 5000K |
| | | | 130 | 5600K |
| | | | 145 | 6000K |
| | | | 160 | 6500K |
| | | | 175 | 7000K |
| | | | 190 | 8000K |
| 205 | 10000K | | | |
| 255 | 10000K | | | |
| CH.7 | CH.9 | CH.15 | STROBE | |
| | | | 0-9 | NO FUNCTION |
| | | | 10-99 | STROBE FROM SLOD TO FAST (0-25Hz) |

| | | | | |
|---------|-------------|-------|--|-----------------------|
| | | | 100-109 | NO FUNCTION |
| | | | 110-179 | THUNDER STROBE |
| | | | 180-189 | NO FUNCTION |
| | | | 190-255 | RANDOM SROBE |
| -- | CH.10 | CH.16 | AUTO | |
| | | | 0-40 | NO FUNCTION |
| | | | 41-50 | AUTO 1 |
| | | | 51-60 | AUTO 2 |
| | | | 61-70 | AUTO 3 |
| | | | 71-80 | AUTO 4 |
| | | | 81-90 | AUTO 5 |
| | | | 91-100 | AUTO 6 |
| | | | 101-110 | AUTO 7 |
| | | | 111-120 | AUTO 8 |
| | | | 121-130 | AUTO 9 |
| | | | 131-140 | AUTO 10 |
| | | | 141-150 | PROGRAM 1 |
| | | | 151-160 | PROGRAM 2 |
| 161-255 | NO FUNCTION | | | |
| -- | CH.11 | CH.17 | 0-255 | AUTO SPEED ADJUSTMENT |
| CH.8 | CH.12 | CH.18 | CONTROL (EXECUTE AFTER 3 SECONDS) | |
| | | | 000-010 | NO FUNCTION |
| | | | 011-100 | RESERVED |
| | | | 101-110 | DIMMER OFF |
| | | | 111-120 | DIMMER DIM4 |
| | | | 121-200 | RESERVED |
| | | | 201-210 | ALL RESET |
| | | | 211-255 | RESERVED |

| PIXEL.1 (9CH) | PIXEL.2 (13CH) | Value | Function |
|------------------|-------------------|---------------------|---------------|
| CH.1 | CH.1 | 0-255 | MASTER DIMMER |
| CH.2 | CH.2 | 0-255 | RED 1 |
| CH.3 | CH.3 | 0-255 | GREEN 1 |
| CH.4 | CH.4 | 0-255 | BLUE 1 |
| -- | CH.5 | 0-255 | WHITE 1 |
| -- | CH.6 | 0-255 | AMBER 1 |
| CH.5 | CH.7 | PRESET COLOR | |
| | | 0-10 | NO FUNCTION |

| | | | |
|------|-------|---------------------|--|
| | | 11-255 | PRESET COLOR (See Annex I for details) |
| CH.6 | CH.8 | 0-255 | RED 2 |
| CH.7 | CH.9 | 0-255 | GREEN 2 |
| CH.8 | CH.10 | 0-255 | BLUE 2 |
| -- | CH.11 | 0-255 | WHITE 2 |
| -- | CH.12 | 0-255 | AMBER 2 |
| CH.9 | CH.13 | PRESET COLOR | |
| | | 0-10 | NO FUNCTION |
| | | 11-255 | PRESET COLOR (See Annex I for details) |

| HALO (2CH) | Value | Function |
|-----------------------|--------------|-----------------|
| CH.1 | 0-255 | PIXEL 1 DIMMER |
| CH.2 | 0-255 | PIXEL 2 DIMMER |

Annex 1

| PRESET COLOR | Value | Color Names | | x | y |
|--------------|---------|-------------|----------------------|-------|-------|
| | 0-10 | NO FUNCTION | | | |
| COLOR 1 | 11-15 | L176 | Loving Amber | 0.407 | 0.321 |
| COLOR 2 | 16-20 | R40 | Light Salmon | 0.499 | 0.321 |
| COLOR 3 | 21-25 | L24 | Scarlet | 0.561 | 0.296 |
| COLOR 4 | 26-30 | L164 | Flame Red | 0.659 | 0.302 |
| COLOR 5 | 31-35 | L747 | Easy White | 0.389 | 0.344 |
| COLOR 6 | 36-40 | R303 | Warm Peach | 0.448 | 0.353 |
| COLOR 7 | 41-45 | L08 | Dark Salmon | 0.498 | 0.347 |
| COLOR 8 | 46-50 | L25 | Sunset Red | 0.566 | 0.359 |
| COLOR 9 | 51-55 | L04 | Medium Bastard Amber | 0.37 | 0.335 |
| COLOR 10 | 56-60 | L237 | CID(To Tungsten) | 0.43 | 0.365 |
| COLOR 11 | 61-65 | R321 | Soft Golden Amber | 0.477 | 0.406 |
| COLOR 12 | 66-70 | L652 | Urban Sodium | 0.535 | 0.399 |
| COLOR 13 | 71-75 | L212 | LCT Yellow(Y1) | 0.34 | 0.363 |
| COLOR 14 | 76-80 | L765 | LEE Yellow | 0.389 | 0.412 |
| COLOR 15 | 81-85 | L513 | Ice And A Slice | 0.38 | 0.447 |
| COLOR 16 | 86-90 | L100 | Spring Yellow | 0.41 | 0.502 |
| COLOR 17 | 91-95 | L244 | LEE Plus Green | 0.324 | 0.388 |
| COLOR 18 | 96-100 | R4430 | CalColor 30 Green | 0.318 | 0.44 |
| COLOR 19 | 101-105 | L122 | Fern Green | 0.234 | 0.543 |
| COLOR 20 | 106-110 | L90 | Dark Yellow Green | 0.184 | 0.641 |
| COLOR 21 | 111-115 | L243 | LEE Fluorescent3600K | 0.286 | 0.37 |
| COLOR 22 | 116-120 | R92 | Tuiquoise | 0.235 | 0.36 |
| COLOR 23 | 121-125 | R94 | Kelly Green | 0.185 | 0.459 |
| COLOR 24 | 126-130 | L327 | Forest Green | 0.162 | 0.496 |
| COLOR 25 | 131-135 | L191 | Cosmetic Aqua Blue | 0.3 | 0.318 |
| COLOR 26 | 136-140 | L728 | Steel Green | 0.256 | 0.302 |
| COLOR 27 | 141-145 | L117 | Steel Blue | 0.223 | 0.278 |
| COLOR 28 | 146-150 | L354 | Special Steel Blue | 0.173 | 0.265 |
| COLOR 29 | 151-155 | L53 | Paler Lavender | 0.284 | 0.284 |
| COLOR 30 | 156-160 | L501 | New Colour Blue | 0.246 | 0.249 |
| COLOR 31 | 161-165 | L174 | Dark Steel Blue | 0.204 | 0.205 |
| COLOR 32 | 166-170 | L165 | Daylight Blue | 0.159 | 0.158 |
| COLOR 33 | 171-175 | L136 | Pale Lavender | 0.288 | 0.254 |
| COLOR 34 | 176-180 | L194 | Surprise Pink | 0.24 | 0.183 |
| COLOR 35 | 181-185 | L142 | Pale Violet | 0.209 | 0.148 |
| COLOR 36 | 186-190 | L700 | Perfect Lavender | 0.177 | 0.07 |
| COLOR 37 | 191-195 | L35 | Light Pink | 0.335 | 0.289 |
| COLOR 38 | 196-200 | L794 | Pretty'n Pink | 0.335 | 0.251 |
| COLOR 39 | 201-205 | L328 | Follies Pink | 0.335 | 0.18 |
| COLOR 40 | 206-210 | L795 | Magical Magenta | 0.327 | 0.138 |
| COLOR 41 | 211-215 | L154 | Pale Rose | 0.35 | 0.318 |
| COLOR 42 | 216-220 | L127 | Smokey Pink | 0.397 | 0.265 |
| COLOR 43 | 221-225 | L192 | Flesh Pink | 0.41 | 0.237 |
| COLOR 44 | 226-230 | L332 | Special Rose Pink | 0.465 | 0.193 |
| COLOR 45 | 231-235 | L790 | Moroccan Pink | 0.378 | 0.324 |
| COLOR 46 | 236-240 | L157 | Pink | 0.457 | 0.272 |
| COLOR 47 | 241-245 | R332 | Cherry Rose | 0.489 | 0.295 |
| COLOR 48 | 246-250 | L128 | Cool LED Bright Pink | 0.57 | 0.263 |
| | 251-255 | NO FUNCTION | | | |